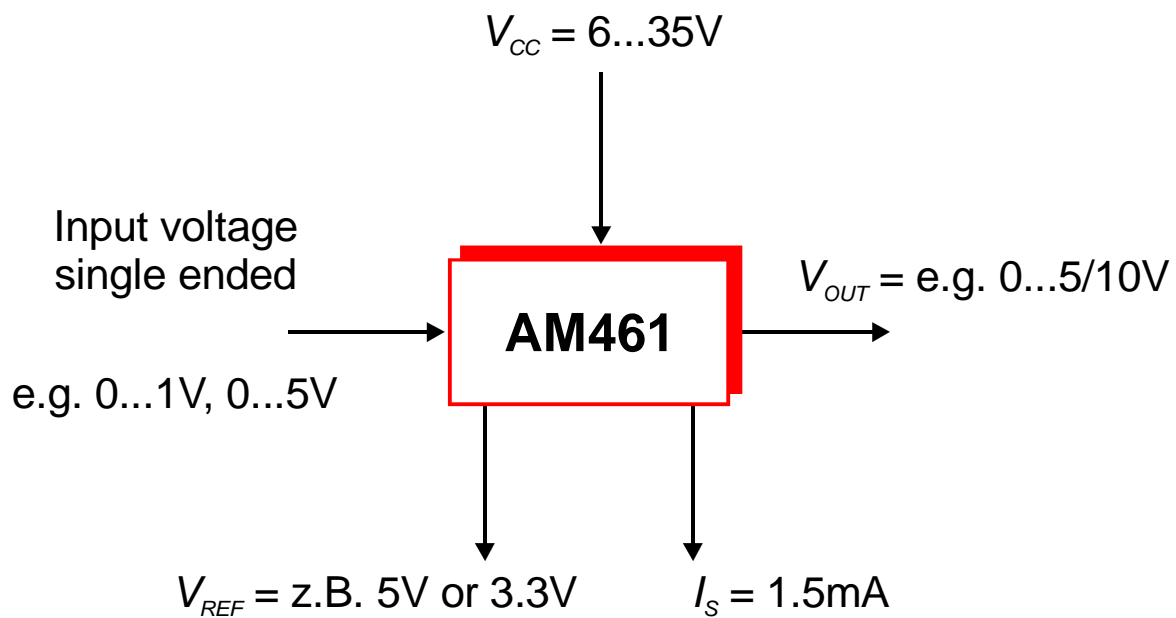


PRINCIPLE FUNCTION

Amplification of Single Ended Signals (Voltage)
Protection Functions for External Devices
Additional Adjustable Current/Voltage Source



TYPICAL APPLICATIONS

- Impedance Converter
- Adjustable Voltage Source
- Voltage Regulator with Additional Functions
- Protection IC for Microcontroller (Frame ASIC Concept [1])
- Protected Current Source

TABLE OF CONTENTS

Features	3
Description	3
Block Diagram	3
Electrical Specifications	4
Block diagram and Pinout AM461	6
Principial Application Examples	7
Delivery	8
Additional Literature	8

TABLE OF FIGURES

Table1: Pinout AM461	6
Figure 1: Block diagram AM461	3
Figure 2: Block diagram AM461	6
Figure 3: Pinout AM461	6
Figure 4: Application as processor interface	7
Figure 5: Application as amplifiers IC and impedance converter	7
Figure 6: Application as voltage regulator and protection IC for controllers	7

FEATURES

- Supply Voltage Range: 6...35V
- Wide Operating Temperature Range: $-40^{\circ}\text{C} \dots +85^{\circ}\text{C}$
- Voltage Reference: 5V
- Additional Voltage/Current Source
- Operational Amplifier Stage with Integrated Driver Output
- Adjustable Gain
- Adjustable Output Voltage Range e.g. 0...5/10V, others
- Reverse Polarity Protection
- Short Circuit Protection
- Output Current Limitation
- Low-Cost: Replaces a Multitude Number of Discrete Components

DESCRIPTION

The AM461 is a universal useable amplifier and protection IC with a multitude of additional functions. The IC contains of an externally adjustable operational amplifier for conditioning of single ended input signals. This amplifier has an integrated output driver stage with the ability to source up to 5mA without the need of any external transistor. In addition, a voltage reference for the supply of external components and another operational amplifier that can be used as current/voltage source or comparator is integrated.

Basic features of the IC are the wide range integrated of protection functions. The IC is protected against reverse polarity and has a build-in output current limitation. Using the amplifier IC AM461 it is possible to generate stable standard voltages ranges (e.g. 0-5/10V) in an easy and low-cost way.

BLOCK DIAGRAM

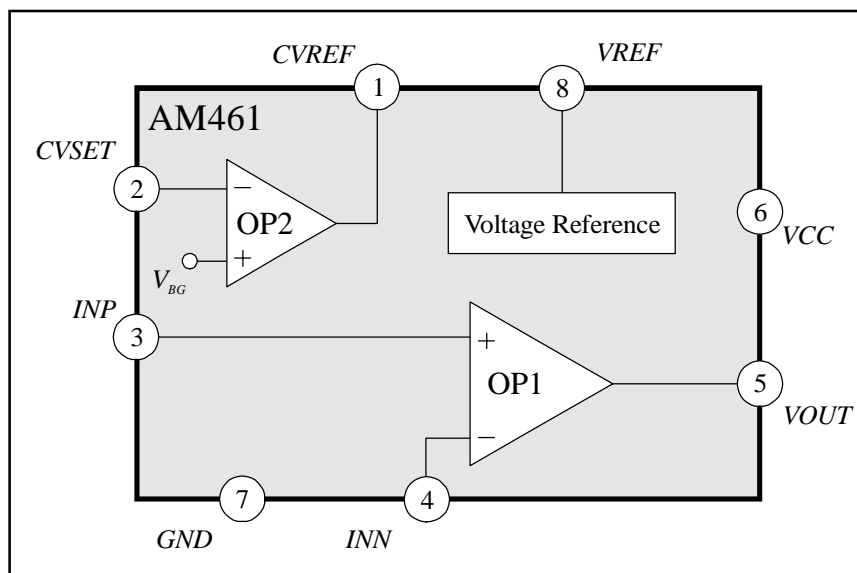


Figure 1: Block diagram AM461

ELECTRICAL SPECIFICATIONS

$T_{amb} = 25^{\circ}\text{C}$, $V_{CC} = 24\text{V}$, $I_{REF} = 1\text{mA}$, $C_1 = 2.2\mu\text{F}$ (unless otherwise noted)

Parameter	Symbol	Conditions	Min.	Typ.	Max.	Unit
Voltage Range	V_{CC}		6		35	V
Quiescent Current	I_{CC}	$T_{amb} = -40\dots+85^{\circ}\text{C}$, $I_{REF} = 0\text{mA}$			1.5	mA
Temperature Specifications						
Operating	T_{amb}		-40		85	$^{\circ}\text{C}$
Storage	T_{st}		-55		125	$^{\circ}\text{C}$
Junction	T_J				150	$^{\circ}\text{C}$
Thermal Resistance	Θ_{ja}	DIL8 plastic package		110		$^{\circ}\text{C}/\text{W}$
	Θ_{ja}	SO8 plastic package		180		$^{\circ}\text{C}/\text{W}$
Voltage Reference						
Voltage	V_{REF}		4.75	5.00	5.25	V
Current	I_{REF}		1.0		10.0	mA
V_{REF} vs. Temperature	dV_{REF}/dT	$T_{amb} = -40\dots+85^{\circ}\text{C}$		± 90	± 140	ppm/ $^{\circ}\text{C}$
Line Regulation	dV_{REF}/dV	$V_{CC} = 6\text{V}\dots35\text{V}$		30	80	ppm/V
	dV_{REF}/dV	$V_{CC} = 6\text{V}\dots35\text{V}$, $I_{REF} \approx 5\text{mA}$		60	150	ppm/V
Load Regulation	dV_{REF}/dI			0.05	0.10	%/mA
	dV_{REF}/dI	$I_{REF} \approx 5\text{mA}$		0.06	0.15	%/mA
Current/Voltage Source OP2						
Internal Reference	V_{BG}		1.20	1.27	1.35	V
V_{BG} vs. Temperature	dV_{BG}/dT	$T_{amb} = -40\dots+85^{\circ}\text{C}$		± 60	± 140	ppm/ $^{\circ}\text{C}$
Current Source: $I_{CV} = V_{BG}/R_{SET}$						
Adjustable Current Range	I_{CVREF}		0		10	mA
Output Voltage	V_{CVREF}	$V_{CC} < 18\text{V}$	V_{BG}		$V_{CC} - 4$	V
	V_{CVREF}	$V_{CC} \geq 18\text{V}$	V_{BG}		13	V
Voltage Source: $V_{CV} = V_{BG} (1 + R_4 / R_3)$						
Adjustable Voltage Range	V_{CVREF}	$V_{CC} < 18\text{V}$	0.4		$V_{CC} - 4$	V
	V_{CVREF}	$V_{CC} \geq 18\text{V}$	0.4		13	V
Output Current	I_{CVREF}	Source, $R_3 + R_4 \geq 100\text{k}\Omega$			10	mA
	I_{CVREF}	Sink			-100	μA
Load Capacitance @ V_{CVREF}	C_{CVREF}	Source mode	0	1	10	nF

Parameter	Symbol	Conditions	Min.	Typ.	Max.	Unit
Voltage Output Stage OP1						
Adjustable Gain	G_{OP1}		1			
Input Range	I_R	$V_{CC} < 10V$	0		$V_{CC} - 5$	V
	I_R	$V_{CC} \geq 10V$	0		5	V
Power Supply Rejection Ratio	$PSRR$		80	90		dB
Offset Voltage	V_{OS}			± 0.5	± 2	mV
V_{OS} vs. Temperature	dV_{OS}/dT			± 3	± 7	$\mu V/^\circ C$
Input Bias Current	I_B			5	12	nA
I_B vs. Temperature	dI_B/dT			3.5	10	$pA/^\circ C$
Output Voltage Range	V_{OUT}	$V_{CC} < 18V$	0		$V_{CC} - 5$	V
	V_{OUT}	$V_{CC} \geq 18V$	0		13	V
Output Current Limitation	I_{LIM}	$V_{OUT} \geq 10V, R_1 + R_2 \geq 100k\Omega$	5	7	10	mA
Output Current	I_{OUT}	Source	0		I_{LIM}	mA
Output Resistance	R_{OUT}	Source		0.5		Ω
Load Resistance	R_L		2	10	100	k Ω
Load Capacitance @ V_{OUT}	C_L		0		500	nF
Protection Functions						
Protection against reverse polarity		Ground vs. V_{CC} vs. $V_{OUT}, R_1 \geq 20k\Omega$			35	V

Currents flowing into the IC are negative

BOUNDARY CONDITIONS

Parameter	Symbol	Conditions	Min.	Typ.	Max.	Unit
Sum Gain Resistors	$R_1 + R_2$		20	100	200	k Ω
Sum Reference Adjustment Resistors	$R_3 + R_4$		20	100	200	k Ω
Stabilisation Capacitance @ V_{REF}	C_1		1.9	2.2	5.0	μF

BLOCK DIAGRAM AND PINOUT AM461

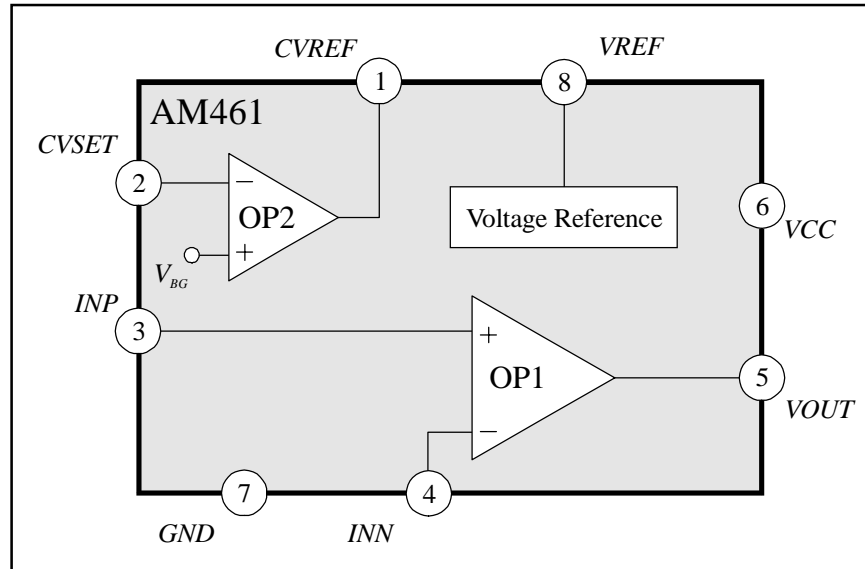


Figure 2: Block diagram AM461

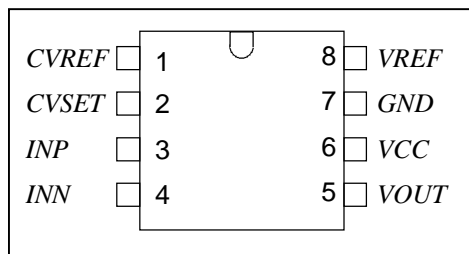


Figure 3: Pinout AM461

PIN	NAME	DESIGNATION
1	CVREF	Output OP2
2	CVSET	Input OP2
3	INP	Positive input OP1
4	INN	Negative input OP1
5	VOUT	Voltage output
6	VCC	Supply voltage
7	GND	IC ground
8	VREF	Output voltage reference

Table1: Pinout AM461

PRINCIPLE APPLICATION EXAMPLES

- Application as processor interface

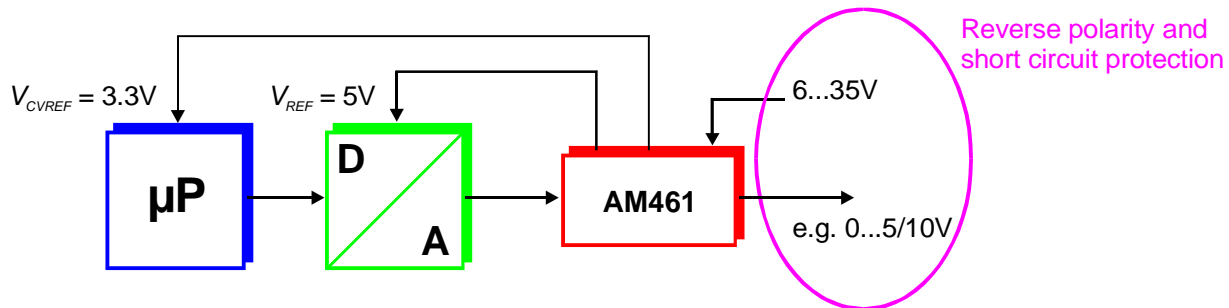


Figure 4: Application as processor interface

- Application as amplifier IC and impedance converter

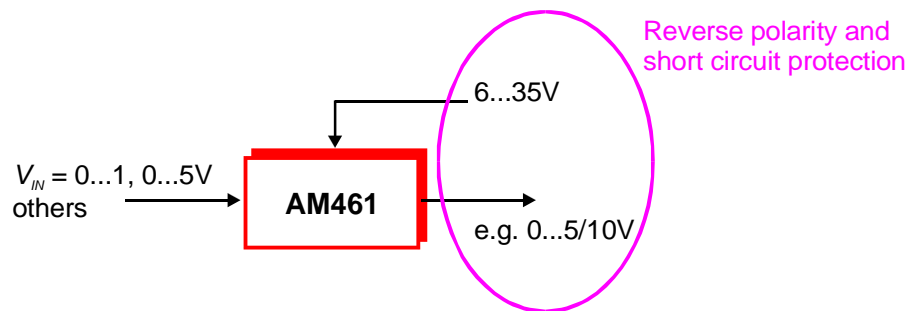


Figure 5: Application as amplifier IC and impedance converter

- Application as voltage regulator and protection IC for controllers

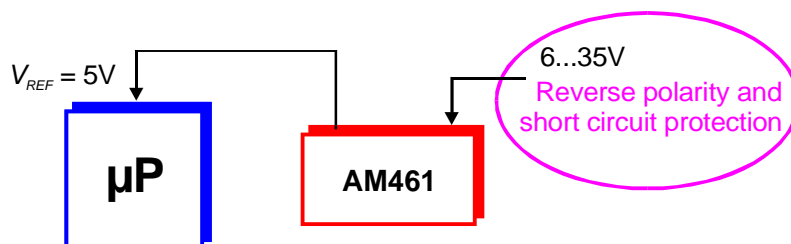


Figure 6: Application as voltage regulator and protection IC for controllers

DELIVERY

The AM461 amplifier and protection IC is available in

- DIP08, SO08

ADDITIONAL LITERATURE

- [1] Concept of Frame ASICs: <http://www.Frame-ASIC.com/>
- [2] Analog Microelectronics' Homepage: <http://www.analogmicro.info/>

NOTES

The information provided herein is believed to be reliable; however, Analog Microelectronics assumes no responsibility for inaccuracies or omissions. Analog Microelectronics assumes no responsibility for the use of this information, and all use of such information shall be entirely at the user's own risk. Prices and specifications are subject to change without notice. No patent rights or licences to any of the circuits described herein are implied or granted to any third party. Analog Microelectronics does not authorise or warrant any Analog Microelectronics product use in life support devices and/or systems.